


Instruction manual

Original instructions

 **Caution!** Prior to operating the unit, please read the owner's manual carefully, and most importantly, observe all safety rules.

Observe the maintenance guidelines closely to ensure the long service life of your equipment.

Your dealer will be glad to assist you with any questions.

EC declaration of conformity → The EC declaration of conformity on a separate piece of paper forms part of these operating instructions.

Packaging and disposal

Please keep the original packaging in order to protect the equipment against transport damage in case you ever need to ship it or transport it. If the packaging materials are no longer required then they must be disposed of properly in accordance with applicable local regulations. Cardboard packaging materials are raw materials which can be recycled or reused.

At the end of the equipment's service life, please make sure that you dispose of it properly, in accordance with the official directives and regulations that apply in your area

In the best interest of continued technological progress we reserve the right to change the design and configuration of any product without prior notice.

For that reason, no claims can be accepted with reference to text and illustrations in this manual

Most importantly:



In order to achieve an exceptionally high quality cut, the cutting blades are extremely sharp.

→ Never allow the cutting blades to come into contact with an unprotected part of the body – not even when the cutting blades are stationary!

Symbols

The following symbols are used in this manual and on the product:

	Thoroughly read these operating instructions before undertaking any maintenance, installation and cleaning steps
	Wear ear defenders and a face shield before starting the engine
	Wear protective gloves when handling and working with the equipment
	Wear solid shoes, preferably safety shoes with a good tread
	Always handle this power tool with particular care
	Immediately pull the mains plug from its socket if the supply cable or extension cable are damaged
	Never use this power tool in the rain
	Electrical equipment must not be disposed of as normal domestic waste. Ensure that the device and all electrical accessories are disposed of or recycled at an official disposal or recycling facility for electrical equipment.

Type plate



d


- a: Type designation
- b: Serial number
- c: Build year
- d: Double-insulated

Index

	Page
1. Safety regulations	2
1.1 <i>General Safety Rules according to EN 60745-1:2006</i>	2
1.2 <i>Correct use / General safety instructions</i>	4
1.3 <i>Working clothes</i>	4
1.4 <i>When transporting the equipment</i>	4
1.5 <i>Mains supply and extension cable</i>	5
1.6 <i>Before connection to the mains supply</i>	5
1.7 <i>Maintenance, cleaning and repairs</i>	5
1.8 <i>Working with the machine</i>	5
2. Standard delivery	6
3. Control and function elements	6
4. Specification	6
5. Accessories	7
6. Using your power hedge trimmer	7
6.1 <i>Scope of Application</i>	7
6.2 <i>Correct operation of your power hedge trimmer</i>	8
6.3 <i>Decorative cutting</i>	10
7. Operating and maintenance instructions	10
7.1 <i>Blade</i>	10
7.2 <i>Shutdown and storage</i>	11
8. Guarantee	11

1. Safety regulations

1.1 *General Safety Rules according to EN 60745-1:2006***General Safety Rules for power tools**

 **WARNING! Read all instructions.** Failure to follow all instructions listed below may result in electric shock, fire and/or serious injury.

SAVE THESE INSTRUCTIONS.

The term "power tool" in all of the warnings listed below refers to your mains-operated (corded) power tool.

1) Work area safety

- a) **Keep work area clean and well lit.** Cluttered and dark areas invite accidents.
- b) **Do not operate power tools in explosive atmospheres, such as in the presence of flammable liquids, gases or dust.** Power tools create sparks which may ignite the dust or fumes.
- c) **Keep children and bystanders away while operating a power tool.** Distractions can cause you to lose control.

2) Electrical safety

- a) **Power tool plugs must match the outlet. Never modify the plug in any way. Do not use any adapter plugs with earthed (grounded) power tools.** Unmodified plugs and matching outlets will reduce risk of electric shock.
- b) **Avoid body contact with earthed or grounded surfaces such as pipes, radiators, ranges and refrigerators.** There is an increased risk of electric shock if your body is earthed or grounded.
- c) **Do not expose power tools to rain or wet conditions.** Water entering a power tool will increase the risk of electric shock.
- d) **Do not abuse the cord. Never use the cord for carrying, pulling or unplugging the power tool. Keep cord away from heat, oil, sharp edges or moving parts.** Damaged or entangled cords increase the risk of electric shock.
- e) **When operating a power tool outdoors, use an extension cord suitable for outdoor use.** Use of a cord suitable for outdoor use reduces the risk of electric shock.

3) Personal safety

- a) **Stay alert, watch what you are doing and use common sense when operating a power tool. Do not use a power tool while you are tired or under the influence of drugs, alcohol or medication.** *A moment of inattention while operating power tools may result in serious personal injury.*
- b) **Use safety equipment. Always wear eye protection.** *Safety equipment such as dust mask, non-skid safety shoes, hard hat, or hearing protection used for appropriate conditions will reduce personal injuries.*
- c) **Avoid accidental starting. Ensure the switch is in the off-position before plugging in.** *Carrying power tools with your finger on the switch or plugging in power tools that have the switch on invites accidents.*
- d) **Remove any adjusting key or wrench before turning the power tool on.** *A wrench or a key left attached to a rotating part of the power tool may result in personal injury.*
- e) **Do not overreach. Keep proper footing and balance at all times.** *This enables better control of the power tool in unexpected situations.*
- f) **Dress properly. Do not wear loose clothing or jewellery. Keep your hair, clothing, and gloves away from moving parts.** *Loose clothes, jewellery or long hair can be caught in moving parts.*

4) Power tool use and care


- a) **Do not force the power tool. Use the correct power tool for your application.** *The correct power tool will do the job better and safer at the rate for which it was designed.*
- b) **Do not use the power tool if the switch does not turn it on and off.** *Any power tool that cannot be controlled with the switch is dangerous and must be repaired.*
- c) **Disconnect the plug from the power source before making any adjustments, changing accessories, or storing power tools.** *Such preventive safety measures reduce the risk of starting the power tool accidentally.*
- d) **Store idle power tools out of the reach of children and do not allow persons unfamiliar with the power tool or these instructions to operate the power tool.** *Power tools are dangerous in the hands of untrained users.*
- e) **Maintain power tools. Check for misalignment or binding of moving parts, breakage of parts and any other condition that may affect the power tools operation. If damaged, have the power tool repaired before use.** *Many accidents are caused by poorly maintained power tools.*
- f) **Keep cutting tools sharp and clean.** *Properly maintained cutting tools with sharp cutting edges are less likely to bind and are easier to control.*
- g) **Use the power tool, accessories and tool bits etc. in accordance with these instructions and in the manner intended for the particular type of power tool, taking into account the working conditions and the work to be performed.** *Use of the power tool for operations different from those intended could result in a hazardous situation.*

5) Service

- a) **Have your power tool serviced by a qualified repair person using only identical replacement parts.** *This will ensure that the safety of the power tool is maintained.*

1.2 Correct use / General safety instructions

Only use the power hedge trimmer to trim hedges, shrubs and bushes. Never use the power hedge trimmer for any other purpose. (section 6.1 "Scope of Application")

 Read the operating instructions carefully before placing in service and keep them in a safe place.

Use this power tool with particular caution.

Non-observance of safety instructions can lead to a risk to life. Also observe any regulations from your professional body. These operating instructions must always be available at the place of work. All individuals instructed to work with the equipment (including maintenance, care and repair), should read these instructions.


- You should request and receive instructions from the vendor on the safe operation if you are using this type of product for the first time.
- Children and young people under 18 years may not work with this power tool, with the exception of young people over 16 years of age who are being trained under supervision.
- The power tool may only be operated by one person. Keep people and animals away from the work area. When working near thickets, be aware that children and animals may be hidden there. Immediately stop the machine and the cutter if any person or animal comes close to the working area. The operator is responsible for any accidents or damage caused to parties or property.
- This machine may only be passed on or lent to third parties if they are familiar with the safe use of this product and with these instructions. Always supply the manual with the machine.
- Ensure you are rested and in good health when using this machine.
- Persons under the influence of alcohol or drugs, including prescription drugs, are not allowed to use this machine, as their ability to quickly react to potential danger may be impaired.
- Never alter, change or modify any safety equipment or functional assemblies on this machine.
- Only use this machine if it is in good, safe condition. Always check the machine prior to use. **Risk of accident!**
- Only use those accessories and attachments that have been supplied by the manufacturer and that are expressly approved for attachment.
- The reliability and safe operation of your machine depend on the quality of parts used with the machine. Only use original spare parts. Original spare parts are identical with genuine production parts and guarantee best quality in material, dimensions, function and safety. Original parts and accessories are available from your specialist dealer. Your dealer has been supplied with appropriate documentation to determine the correct parts. Your dealer is frequently supplied with updates about improvements to the equipment. Please note that the use of non-original parts will void your warranty.
- Always store the machine in a safe place and in such a way that it will not pose any danger. Stop the engine when the machine is not used.

Persons who disregard safety instructions, operating or maintenance instructions may be liable for any damage or consequential losses.

1.3 Working clothes

To prevent injuries, always wear suitable clothing and safety equipment when working with this power tool. This clothing should be practically oriented to the application (for example a tight fitting work suit), but should not be confining.

Never wear scarves, ties, jewellery or other items of clothing, which might get caught in the equipment, in brush or on branches. Safely tie back long hair (use a cap, helmet or similar).

 Wear sturdy shoes with a good profile - ideally safety shoes.
Wear protective gloves with non-slip palms.
Use ear defenders and/or a visor for protection against flying objects or objects caught up in the turbulence (protective goggles for example).

Please refer also to Section 5, "Accessories", under recommended work clothes.

1.4 When transporting the equipment

- Always turn off the motor when transporting the machine.
- Never carry or transport the unit while the trimmer blade is running.
- Always ensure that the blade is secured before transporting the tool over longer distances.

1.5 Mains supply and extension cable

- Only extension cables approved for outdoor use with a minimum cross-section as shown here are permissible as mains extension cable.

Cable length up to	Minimum cable cross-section
7 m	1.2 mm ²
50 m	1.6 mm ²
75 m	2.0 mm ²

- The cable connectors must be made from rubber or must be covered in rubber.
- When using a cable reel, fully unreel all cable.

- Check whether the mains supply voltage matches the details on the type plate of the power tool.
- The mains socket must be protected at least by a 10 A - 16 A fuse.
- For your personal safety, we recommend the use of a 30 mA RCD.

1.6 Before connection to the mains supply

Before taking the power tool into use, check it fully for perfect condition.

- The ON/OFF switch must be able to move freely and must automatically return into the stop position.
- The cutters and guard must be tightly secured and in perfect condition.
- The mains cable, which is part of the equipment, and the extension cable must be in perfect condition.

Should the check reveal any irregularities or recognisable damage (also to the frame) or reduced efficiency of the machine, do not commence work. Take the power tool to a specialised workshop and have it checked.

1.7 Maintenance, cleaning and repairs

Only carry out those maintenance jobs and repairs, which are described in this manual. A specialised service centre will carry out all other jobs.

- Before cleaning, maintenance or repairs, always switch OFF the motor and pull the mains supply plug from its socket.
- For any repairs only use original parts from the manufacturer.
- Never hose down the power tool – not even for cleaning.

1.8 Working with the machine

- Only use this power tool when it is complete and in a safe condition.
- Work conscientiously, thoughtfully and calmly, and do not endanger third parties.
 - Pay attention to good visibility and lighting conditions.
 - Always remain within earshot of other people who can provide help in case of emergency.
 - Plan for timely work breaks.
 - Pay attention to possible hazards and take appropriate precautions.
 - Exercise caution when the ground is wet or covered in ice and snow, on overhangs, or uneven terrain. There is an increased risk of slipping!
 - Pay attention to the risk of stumbling and obstacles, such as tree roots and stumps, edges, etc. Pay particular attention to safety when working on slopes.
 - Before commencing work, check the working area for stones, broken glass, nails, wire or other solid objects and remove such debris to prevent them being picked up and thrown out by the cutters.
 - Always hold this power tool firmly in both hands, and ensure your safe and solid foothold.
 - Keep all body parts away from the blades. Always cut away from your body.
 - Always cut in an efficient and correct manner (see chapter 6.2 "Correct operation of your power hedge trimmer").
 - Never cut above shoulder height, at a distance from your body or while standing on a ladder. If cutting at height is required, use a hydraulically operated cabin lift.
 - Never touch the ground with your running hedge trimmer.
 - Never use the hedge trimmer to lift away or move pieces of wood or similar materials.
 - Only use the device with sharp and undamaged blades and avoid damaging the blade on foreign objects.
- Stop the motor if the device behaves in any way unusually.
- The trimmer blade should only be touched for cleaning or to remove blockages once the blade has stopped. Protective gloves must also be worn.

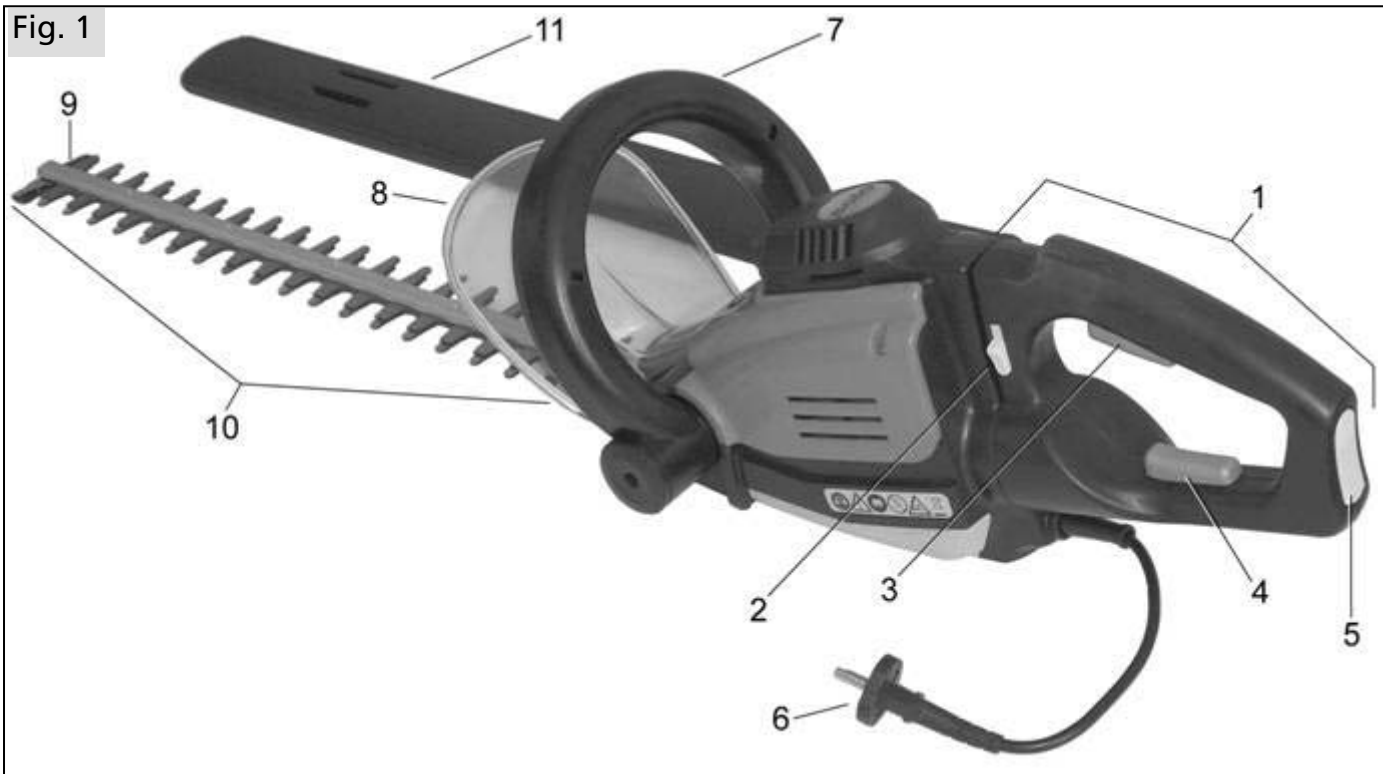
First Aid

A first aid box should always be available on-site. Immediately replace any materials you have used.

2. Standard delivery

- Power hedge trimmer
- Cutting blade protector
- Instruction manual, the **EC declaration of conformity** on a separate piece of paper

3. Control and function elements



1. Rear handle	6. Mains plug
2. Locking lever (for handle adjustment)	7. Handlebar / Safety switch/auxiliary switch B
3. Main switch	8. Hand guard
4. Safety switch/auxiliary switch A on the rear handle	9. Protection
	10. Blade
5. Cable strain relief	11. Cutting blade protector

4. Specification

Power hedge trimmer		165	166	167
Motor power	W	450	500	600
Mains voltage / frequency	V / Hz	240 AC / 50		
Stroke rate	¹ / _{min}	3200	3200	2400
Nominal cutting length	cm	45	55	65
Blade aperture	mm	22	22	27
Dimensions Height / Width / Length	mm	215 / 225 / 910	215 / 225 / 1010	215 / 225 / 1110
Weight	kg	4.0	4.1	4.2
Sound pressure level (EN 50144)	dB(A)	85	85	84
Weighted effective acceleration (EN 50144)	m/s ²	< 2.5	< 2.5	< 2.5
Protection class		II / DIN EN 50144 / VDE 0740		

5. Accessories

Accessories	Part no.
"SOLO Universal-Reiniger" 500 ml	00 83 116
SOLO maintenance and treatment oil spray can 300 ml	00 83 163
Recommended work clothes	
Gloves SOLO Fit	99 390 12 + size
SOLO leather forest boots	99 305 10 + size (36 - 48)
SOLO face/ear protection pack	99 390 1002
SOLO forest and countryside work jacket EN 340	99 303 000 + size (2[s] - 6[xxl])
SOLO Outdoor Knee-breeches	99 020 95 + size
SOLO Outdoor dungarees	99 020 94 + size

6. Using your power hedge trimmer

Before using the power hedge trimmer, treat the clean trimmer blade with maintenance oil. We recommend: clean with "SOLO Universal-Reiniger (Cleaner)" (Part no: 00 83 116) and treat with "SOLO maintenance and care oil" (Part no: 00 83 163).

Never use grease.

6.1 Scope of Application

Only use the power hedge trimmer to trim hedges, shrubs and bushes.

Never use the power hedge trimmer for any other purpose.

The maximum thickness of twigs and branches, which can be cut by this power hedge trimmer, depends on the type of wood, its age, its moisture content and density.

Thicker twigs and branches can be trimmed to the required length with pruning shears before cutting with the hedge trimmer.

Environmental protection:

Ensure compliance with any local noise regulations.

Ensure compliance with any local regulations concerning the cutting of hedges or periods where such work is prohibited.

Before commencing such work, ensure that no birds are nesting in your hedges. If you do discover nesting birds, postpone the work or avoid this area when trimming your hedges.

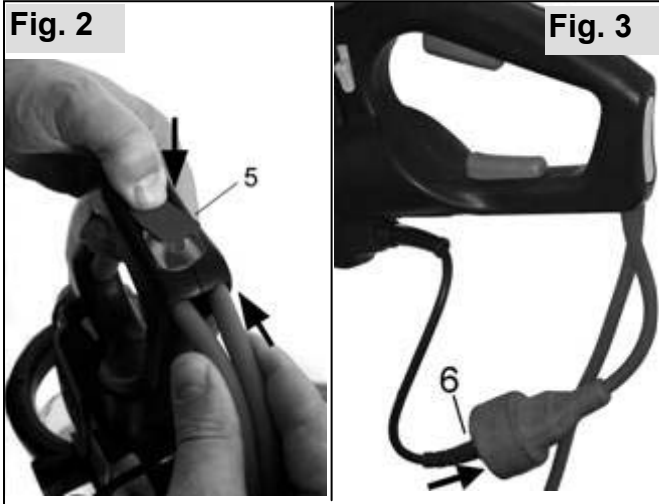
To avoid harming any other animals you may find in your hedges, check under all hedges before trimming and scare any animals away.

Dispose of any cuttings in an environmentally responsible manner (for example, by composting).

6.2 Correct operation of your power hedge trimmer

Observe all safety regulations when using this power tool.

Connection to the mains supply



Connect the appropriate extension cable to the cable strain relief (5) and connect the mains plug (6) to the extension cable.

To isolate the equipment, always pull the mains plug from its socket, i.e. never pull on the cable to remove the plug.

Switching the hedge trimmer on/off

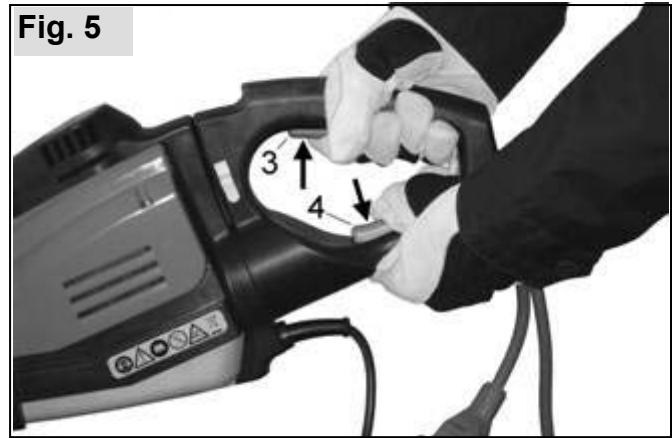
The hedge trimmer is only approved for two-handed operation. For safety reasons it can only be switched on when one hand operates the main switch (3) at the same time as the other hand operates either the safety switch or auxiliary switch.

To switch off the device, release either of these two switches.



Standard stance:

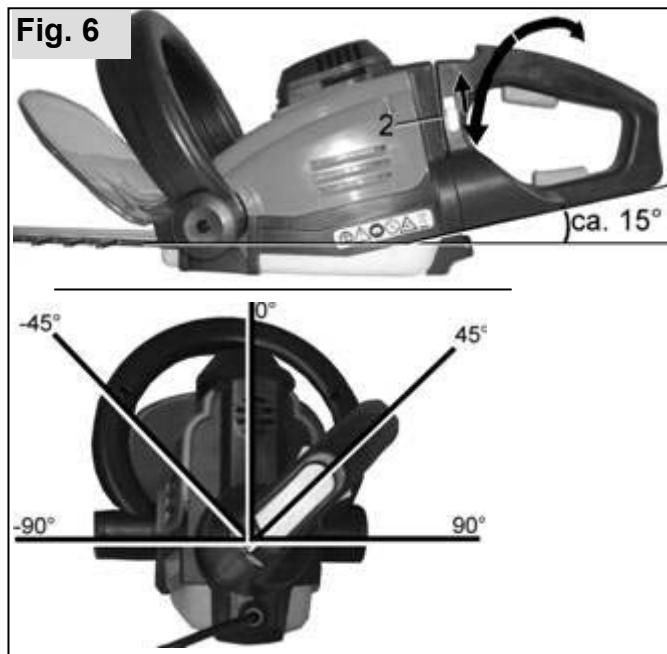
The rear hand operates the mains switch (3) on the rear handle; the front hand operates the safety/auxiliary switch B on the handlebar (7).



Alternative stance to increase the range:

The hedge trimmer is held with both hands on the rear handle. One hand operates the main switch on the top part of the handle, while the other hand operates the safety switch/auxiliary switch (4) on the bottom part of the handle.

Ergonomic handle position



To move the rear handle to the optimum ergonomic position, when the motor is switched off, push the ratchet lever (2) upwards to release it and then turn the rear handle until it's in the desired position. The rear handle locks into five different positions. Before restarting, ensure that the handle is safely locked in position.

Note: If the handle is not correctly locked, the hedge trimmer will not start.

In every position the handle is angled approximately 15° towards the cutting axis. This ensures that the device can be used directly on the hedge and can still be held at a short distance from the hedge.

Fig. 7



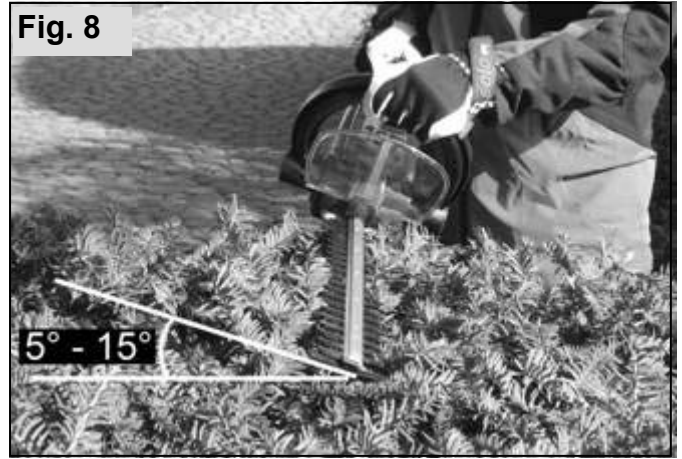
Always hold the hedge trimmer carefully with both hands and firmly grip the handle with your thumbs. Always commence trimming with the cutters moving. Do not "stab" into the hedge with the tip of the cutter.

Take particular care when working near wire fences and never touch the wire with the cutter. Switch off the engine immediately the tool behaves in an unusual way or if cuttings have become entangled in the blade. Wait until the blade has stopped. When the **engine is switched off**, remove the entangled cuttings, undergrowth etc. Before starting up the tool again, check the entire power tool for safety.

Trimming procedures

Cut the hedge in several stages, if the hedge needs to be cut back a great deal. Between the passes, cut back thicker branches and twigs with pruning shears.

Fig. 8



Cutting the top of the hedge

Holding the shears at an angle (max. 15°) at the top of the hedge, cut the hedge across to the opposite edge to allow the cuttings to fall to the floor.

Fig. 9



Cutting the side of the hedge

Move the shears forwards and backwards vertically to cut in arched movements, slowly advancing across the hedge.

6.3 Decorative cutting

The trapezoidal cutting pattern shown prevents the lower hedge area from losing its foliage due to lack of light.

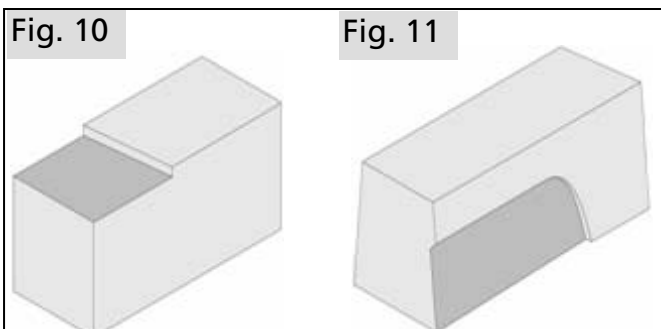
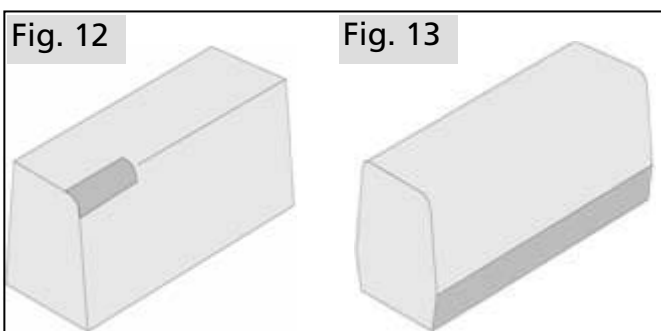


Fig.10:
Firstly, cut the hedge to the desired height. Cuttings can be freed from the hedge by a slight pendulum action. To achieve a straight cut, a taut piece of string is positioned in the hedge at cutting height.

Fig.11:
Cut the hedge from below upwards into a trapezoidal shape (to 1 m height, narrowed at the top by approximately 10 cm). This prevents cuttings falling onto that part of the hedge that has not yet been cut, which may disrupt further cutting.



Slightly bevel the top edge of the hedge; then cut back the bottom of the hedge near the ground.

To promote thick new growth on young hedges, only cut back half of the new shoots.

If the hedge has already grown to the desired height, young shoots can be cut back completely.

The correct time for cutting hedges is:

Leaves:	June and October
Needles:	April and August
Fast growing hedges:	approx. every 6 weeks from May onwards.

7. Operating and maintenance instructions

The maintenance and the repair of modern machines as well as their safety-relevant assemblies require qualified specialised training and a workshop equipped with special tools and test equipment. Consequently the manufacturer recommends that all tasks not described in these operating instructions be carried out by a specialised workshop. That specialist has the required training, experience, and equipment at his disposal, to provide you with the most cost-effective solution for such work. He will provide additional help in word and deed.

7.1 Blade

Before hedge trimming and after cleaning, treat the clean blade with maintenance and treatment oil. We recommend the "Solo maintenance and treatment oil" (Part no: 00 83 163).

Please note: Never use grease.

To clean the blade after hedge trimming, we recommend the use of "SOLO Universal-Reiniger (Cleaner)" (Part no: 00 83 116). After a short period of soaking in, the ingrained remains of cuttings on the blade are soft and solvent. They can then be removed easily with a cloth.

Check the blade at regular intervals and when cutters operate unusually or if the blades are jammed. For this, the engine must be switched off and the blade must be stopped. Clean all clippings, brush, etc. from the cutter. Ask your local service shop immediately to sharpen or replace the blade if it is blunt or damaged, even if it shows only slight cracks.

Let your service shop sharpen the blade regularly. During this service, always clean the guide nuts after removing the blade.

7.2 Shutdown and storage

It is best to store the unit in a dry, secure location. Open flames or similar must not be nearby. Prevent unauthorised use – particularly by children.

Before cleaning always switch OFF the motor and pull the mains supply plug from its socket.

Never hose down this power tool.

- Clean cuttings from the cutting area with a hand-held brush.
- Only use a dry or slightly damp cloth to clean the entire machine. Never use solvents or abrasive cleaning agents. Before connecting the equipment to the mains supply, the motor casing and its interior must not be damp.
- Clean and maintain the cutter.
We recommend: clean with "SOLO Universal-Reiniger (Cleaner)" (Part no: 00 83 116) and treat with "SOLO maintenance and care oil" (Part no: 00 83 163). Never use grease.



The blade guard (11) can be mounted on to a secure wall to provide a safe place to store the hedge trimmer.

8. Guarantee

The manufacturer guarantees trouble-free quality and will cover the cost of replacing parts which are found to be faulty in material or workmanship within the prescribed guarantee period after the date of purchase. Please note that specific guarantee conditions may vary from country to country. If in doubt, ask your equipment vendor. He is responsible for guarantee matters.

We hope you will understand that we cannot be liable for damage resulting from the following causes:

- Non-compliance with the operating instructions.
- Neglecting essential maintenance and repair work.
- Wear in normal use.
- Using non-authorized tools.
- Use of force, incorrect treatment, misuse and accidents.
- Damage from excessive heat due to dirt build-up around the cooling fan housing.
- Attempted adjustments and repairs by unqualified persons.
- Use of unsuitable spare parts or third party parts, if these are the cause of the defect.
- Damage caused by using the product in the hire or rental industry.

Normal cleaning, adjustments or maintenance work fall outside the guarantee provisions.

A service centre authorised by the manufacturer must carry out all guarantee work.

solo[®]

Made in Germany



SOLO
Postfach 60 01 52
D 71050 Sindelfingen

Tel. 07031-301-0
Fax 07031-301-130
info@solo-germany.com

SOLO
P.O.Box 60 01 52
D 71050 Sindelfingen
Germany
Phone+49-7031-301-0
Fax +49-7031-301-149
export@solo-germany.com